

# Mechanical Adjust Monitor Arm

## MA120MB & MA140MB

Free up space on your desk and set your LCD monitor or TV at the best ergonomic position. Highly adjustable arm moves up, down, forward and back.

- Height adjusts up and down through 8" range
- Swivels 180° and tilts forward and back +15°/-90° for optimal ergonomic positioning
- Monitor can rotate portrait or landscape
- Clamp and grommet mounting options included
- For monitors up to 30 lbs.
- Fits both 75 mm x 75 mm and 100 mm x 100 mm VESA-D monitor bolt hole patterns
- 3-year warranty



Highly adjustable arm



Cable management



Clamp or grommet mount

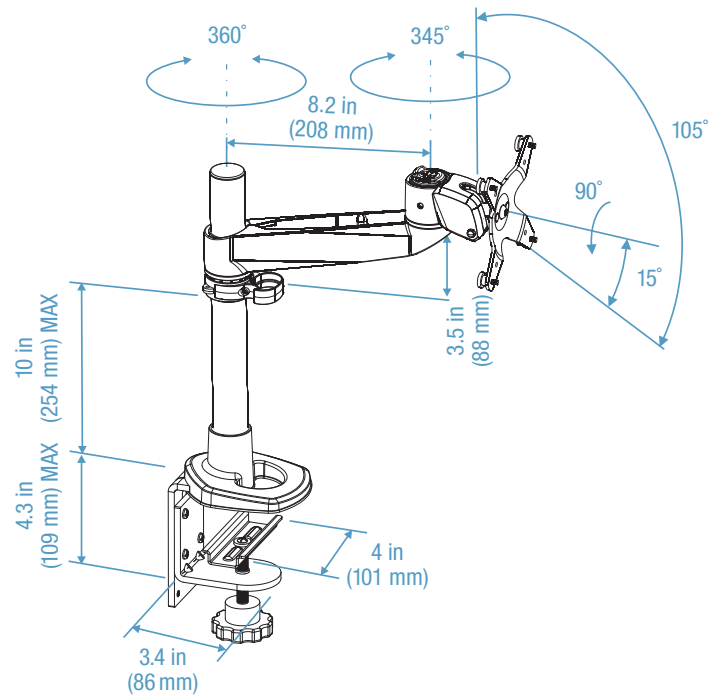
See back for detailed information

**3M**

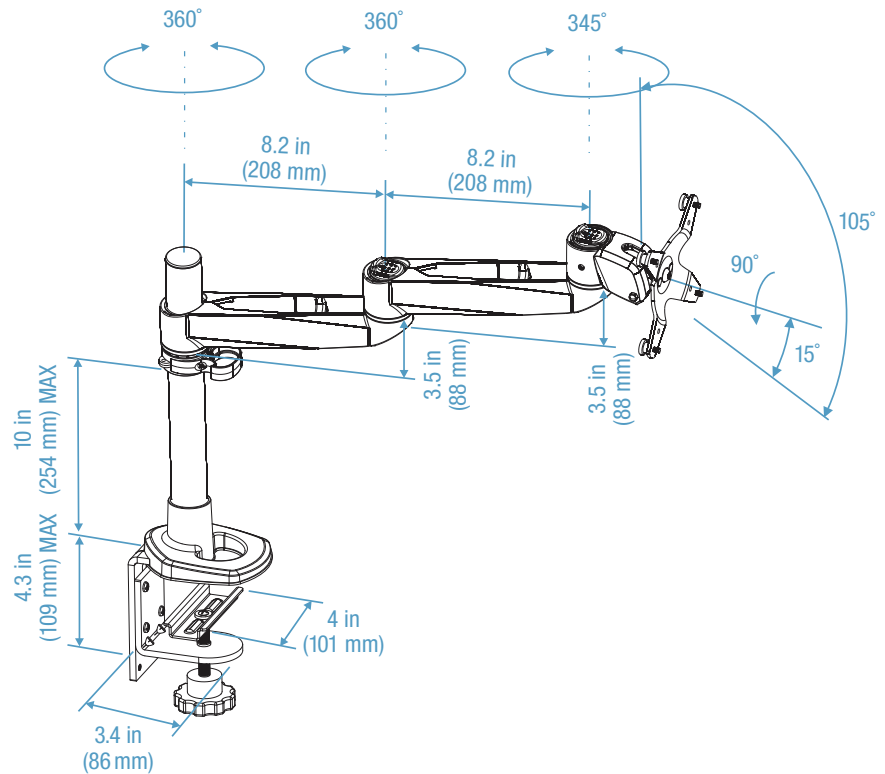
# Specifications

	MA120MB	MA140MB
Features Easy Adjust Technology	No	No
Monitor Weight Capacity	30 lbs.	30 lbs.
Notebook Weight Capacity	-	-
Height Range of Adjustable Segments	8"	8"
Tilt Range Forward/Backward	+15°/-90°	+15°/-90°
Swivel Left/Right	180°	180°
Rotation Portrait/Landscape	360°	360°
VESA MIS-D 75 mm and 100 mm Compatibility	Yes	Yes
Clamp Mount Max Surface Thickness	4.25"	4.25"
Clamp Mount Min Surface Thickness	.8"	.8"
Grommet Mount Max Surface Thickness	2.25"	2.25"
Grommet Mount Min Hole Size	.4"	.4"
Grommet Mount Max Hole Size	2.25"	2.25"
Max Extension Length	11.5"	19.5"
Max Mount Plate Height From Surface	15"	18.5"
Min Mount Plate Height From Surface	7.375"	10.5"
Warranty	3	3

## Dimensions: MA120MB



## Dimensions: MA140MB



### Stationery and Office Supplies Division

3M Center, Building 223-3S-03  
 St. Paul, MN 55144-1000  
 1 800 395-1223  
[www.3M.com/myworkspace](http://www.3M.com/myworkspace)

Please recycle. Printed in U.S.A.  
 3M is a trademark of 3M. © 3M 2013  
 70-0716-2945-8