

Barn Door Cabinet with Mini Fridge and Microwave

SUBMITTED BY ANA WHITE (/USER/1) ON SUN, 10/14/2018 - 14:38

Difficulty: **Intermediate**

This barn door cabinet holds a mini fridge and microwave! It's perfect for dorm rooms, guest rooms, rec rooms, airbnbs, lobbies, or break rooms! Free plans by ANA-WHITE.com

Want to upgrade your guest room, dorm room, break room, airbnb rental by adding a microwave, mini fridge and coffee maker? And also happen to love barn door anything?



Well, how about a barn door cabinet, with mini fridge microwave snack cabinet (that also holds the coffee maker)?

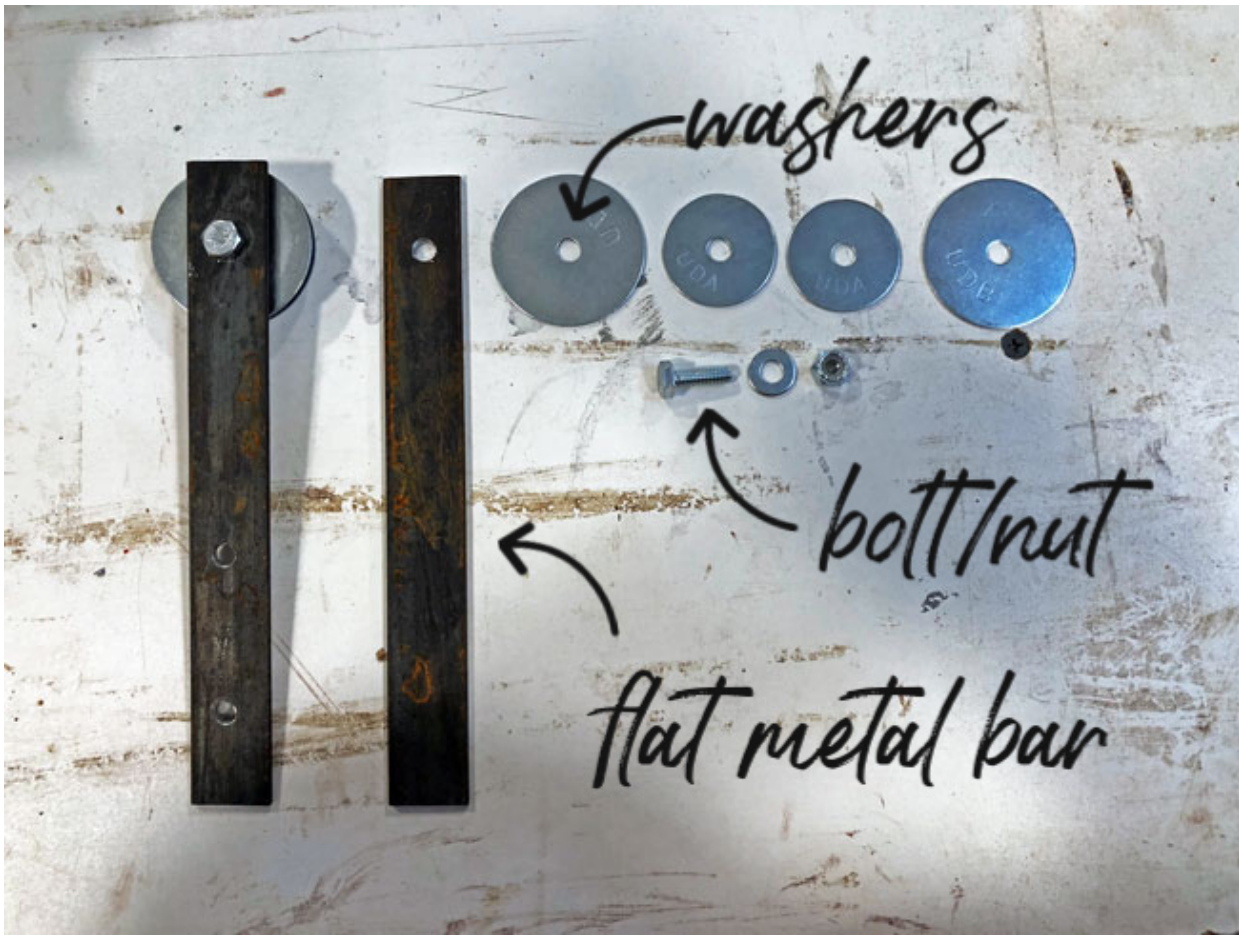


Not only is the mini fridge cabinet totally gorgeous, but oh so functional too! It's sized just right for a mini fridge (we got the 2.6 cubic feet one) and a small microwave, with still lots of room for snacks or dinnerware. And the top is nice and big for a coffee maker and serving snacks from.

We spent about \$100 on this barn door cabinet - including the barn door hardware! - and it was a very easy build!

You can watch us build it - and DIY the barn door hardware - in this video -

Yep, we DIYed the barn door hardware. Out of WASHERS.



And it worked!



I'll get working on the barn door hardware tutorial right away, so you can hack your own for about \$15. **UPDATE: I've posted the tutorial for this DIY Barn Door Hardware with supply list here. (http://www.ana-white.com/2018/10/free_plans/diy-barn-door-hardware-washers)**

We stained our door with Varathane Aged Wood Accelerator in Rustic Brown Look- (<https://www.rustoleum.com/product-catalog/consumer-brands/varathane/aged-wood-accelerator>)



(<https://www.rustoleum.com/product-catalog/consumer-brands/varathane/aged-wood-accelerator>)

Such a great color!

Are you ready to have your own barn door snack cabinet? Start spoiling those guests? You can get building on the barn door snack cabinet right now, the plans are below.

Enjoy!

Ana

DIY Mini Fridge Barn Door Cabinet Plans

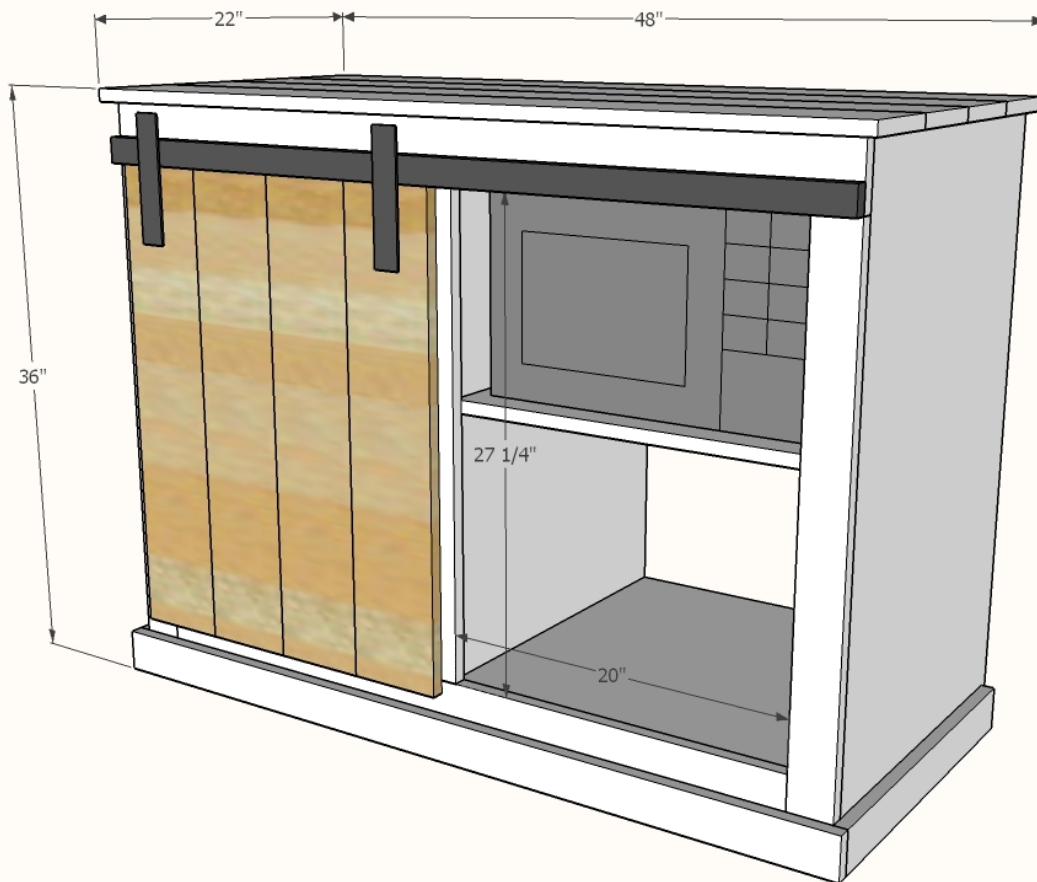
DIY *Snack Cabinet* PLANS





ANA-WHITE.com

Dimensions



Dimensions for the barn door cabinet shown above

Preparation

SHOPPING LIST

4 - 1x3 @ 8 feet long

1 - 1x2 @ 8 feet long

2 - 1x6 @ 8 feet long

1 - 3/4" plywood 48" x 96"

1 - 1/4" plywood 24" x 24"

48" barn door hardware

COMMON MATERIALS

3/4 inch finish nails

1 1/4 inch finish nails

1-1/4" Pocket Hole Screws (http://www.amazon.com/gp/product/B0006444U2/ref=as_li_tl?ie=UTF8&camp=1789&creative=390957&creativeASIN=B0006444U2&linkCode=as2&tag=knooffwoo-20&linkId=5AJJGUAWGYX2TT7E)

CUT LIST

1 - 3/4" plywood @ 20-1/2" x 45" - bottom

2 - 3/4" plywood @ 20-1/2" x 35-1/4" - sides

1 - 3/4" plywood @ 20-1/2" x 30-3/4" - divider

1 - 3/4" plywood @ 20-1/2" x 22-1/8" - microwave shelf

2 - 1x2 @ 22-1/8" - back supports

1 - 1x2 @ 27-1/4" - face frame center

2 - 1x3 @ 31-3/4" - face frame legs

1 - 1x3 @ 41-1/2" - face fame bottom

2 - 1x3 @ about 21-1/4" - cut to fit - footer sides

1 - 1x3 @ about 48" - cut to fit - footer front

4 - 1x6 @ 47-7/8" - top (cut 1x6 boards in half)

Door should be cut to fit, approximately 2 - 1x3 @ 28" and 2 - 1x3 @ 17" and Back Plywood 24" x 19"

CUTTING INSTRUCTIONS

All the plywood can fit on one sheet. First rip the plywood into two strips, 96" long by 20-1/2" wide.

From the 20-1/2" strips, cross cut as shown below.

TOOLS



Tape Measure



Speed Square



Pencil



Safety Glasses



Ear Protection



Kreg Jig



Drill



Circular Saw



Miter Saw



Brad Nailer



Sander



**18V ONE+ HP
Brushless 5-Tool
Combo Kit**

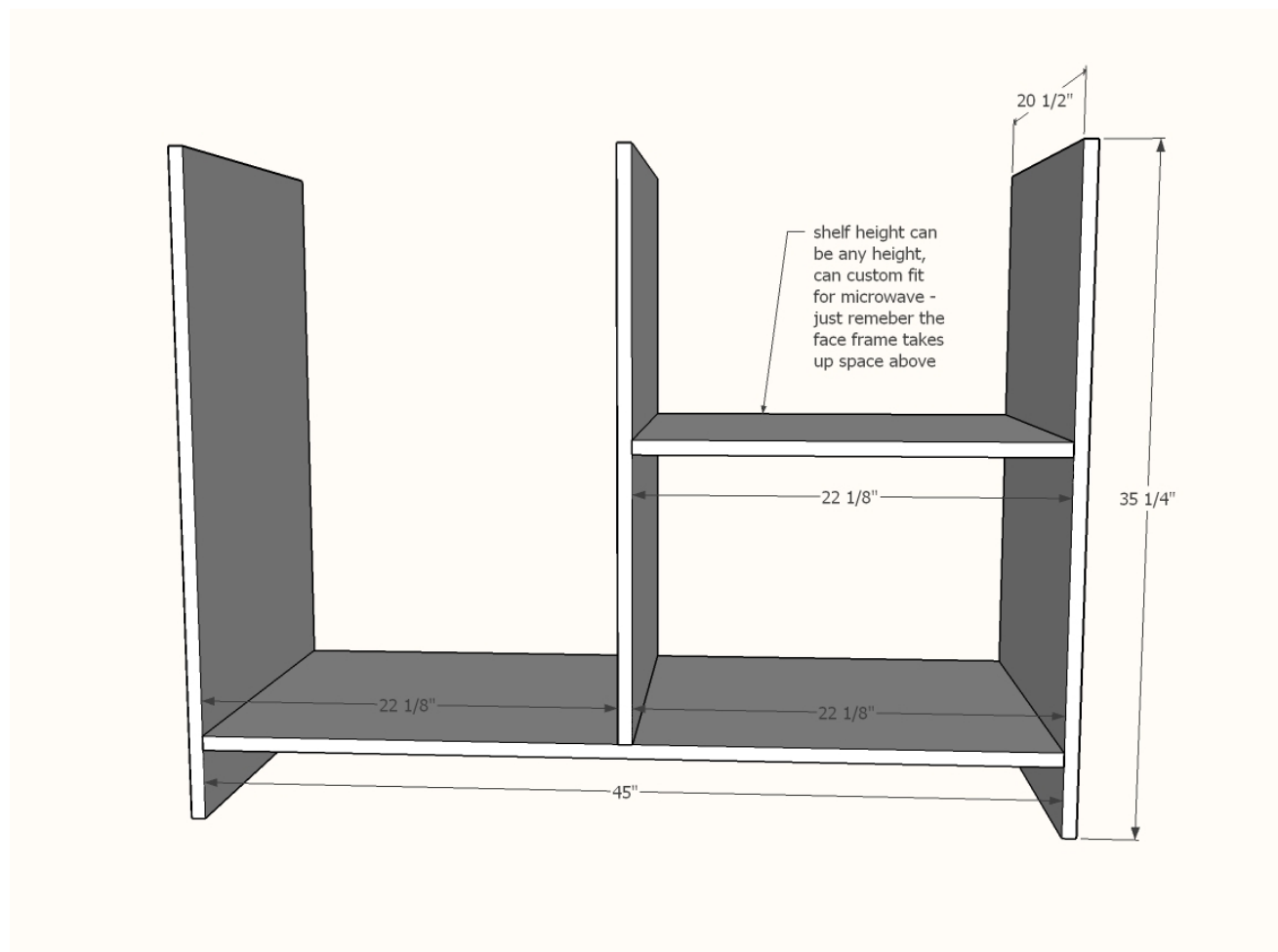


**~~WAS \$269~~
NOW \$249**

(<https://www.homedepot.com/p/RYOBI-ONE-HP-18V-Brushless-Cordless-5-Tool-Combo-Kit-with-2-1-5-Ah-Batteries-Charger-and-Bag-PSBCK05K2/316766654>)

Instructions

STEP 1



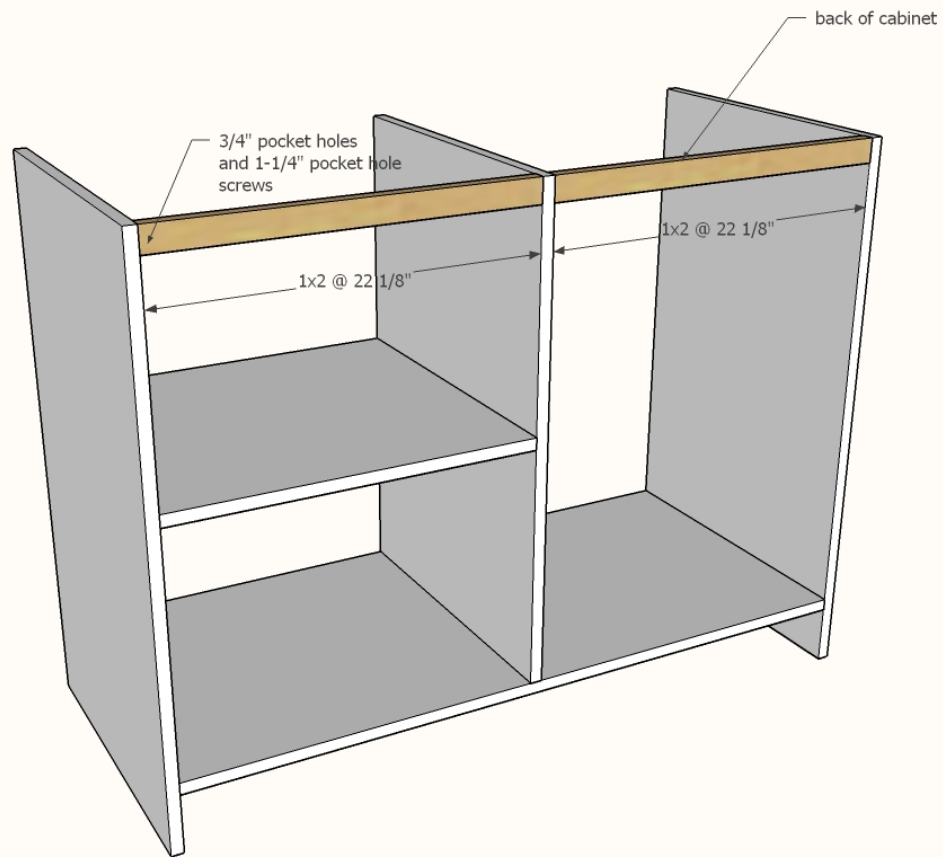
(<https://www.ana-white.com/sites/default/files/mini%20fridge%20cabinet%20barn%20door%20snack%20step%201.jpg>)

Build the carcass using a Kreg Jig set for 3/4" thick material. Drill three pocket holes at each joint and attach with 1-1/4" pocket hole screws.

Leave 3-3/4" space underneath the bottom shelf (or simply use the divider as a spacer when placing the bottom shelf).

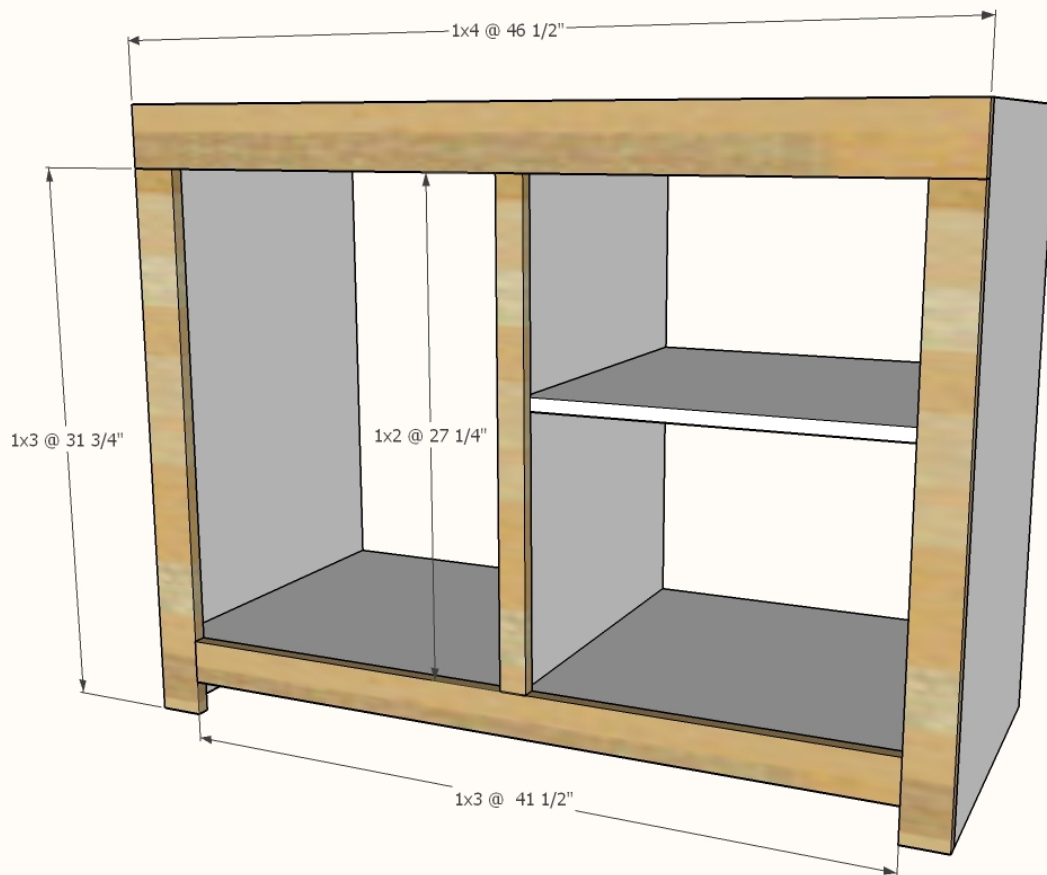
You can wait to add the shelf (after next step) so the microwave is perfectly placed in the face frame, or add now too.

STEP 2



(<https://www.ana-white.com/sites/default/files/mini%20fridge%20cabinet%20barn%20door%20snack%20step%202.jpg>)
Drill two 3/4" pocket holes on each end of the 1x2 back supports. Attach at back top with 1-1/4" pocket hole screws.

STEP 3

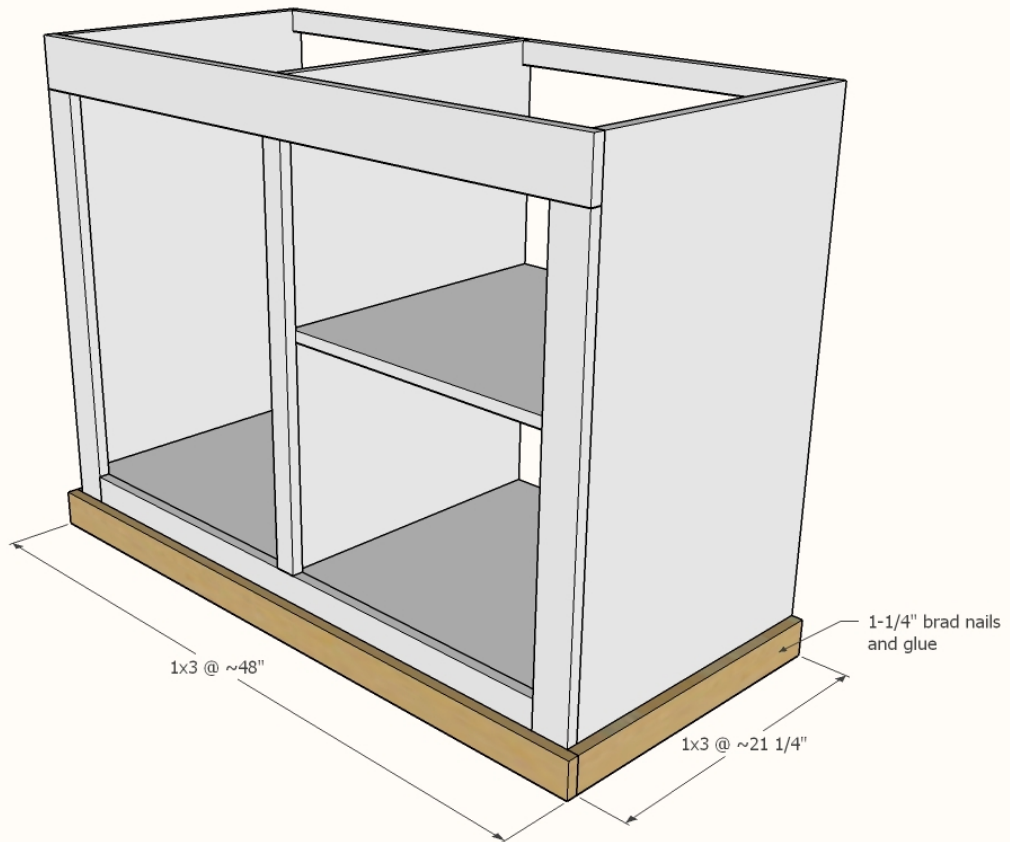


(<https://www.ana-white.com/sites/default/files/mini%20fridge%20cabinet%20barn%20door%20snack%20step%203.jpg>)
Build the face frame with pocket holes first on your tabletop.

Then attach to front of cabinet with 1-1/4" brad nails and wood glue.

Alternatively, you can attach face fram with pocket holes on inside of cabinet as we did in the video.

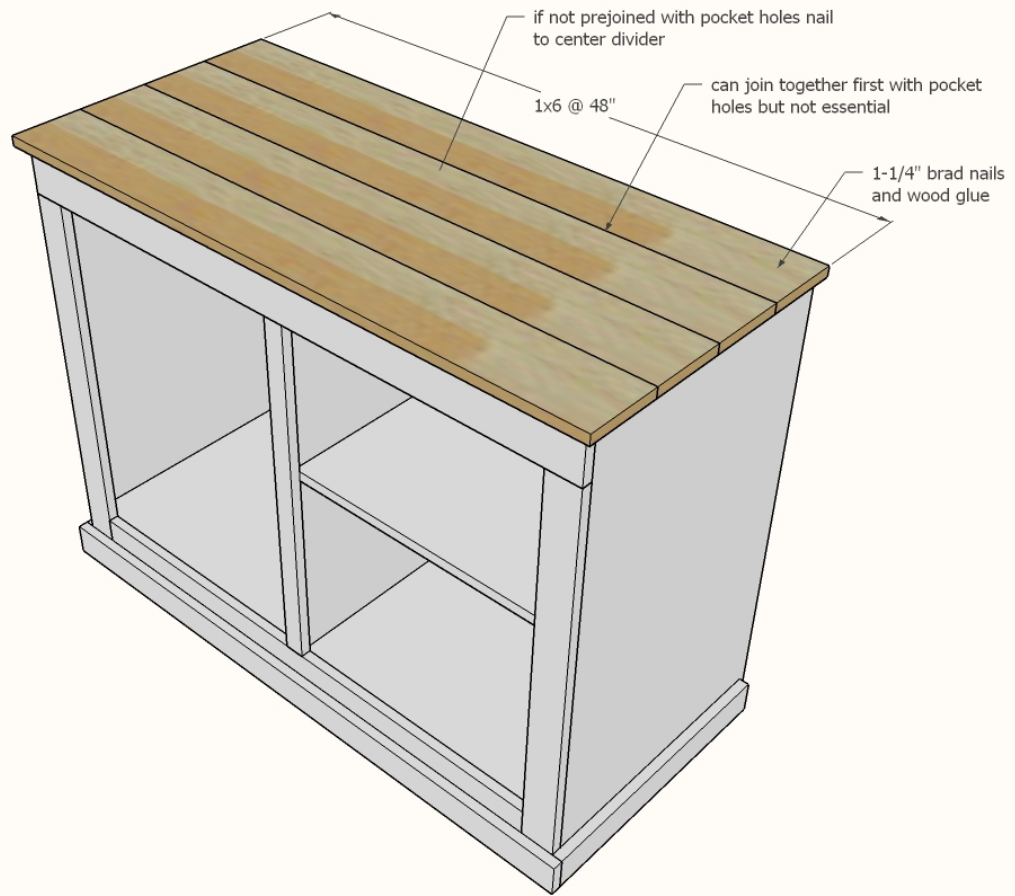
STEP 4



(<https://www.ana-white.com/sites/default/files/mini%20fridge%20cabinet%20barn%20door%20snack%20step%204.jpg>)
Measure and cut the footer sides. Nail and glue on with 1-1/4" brad nails.

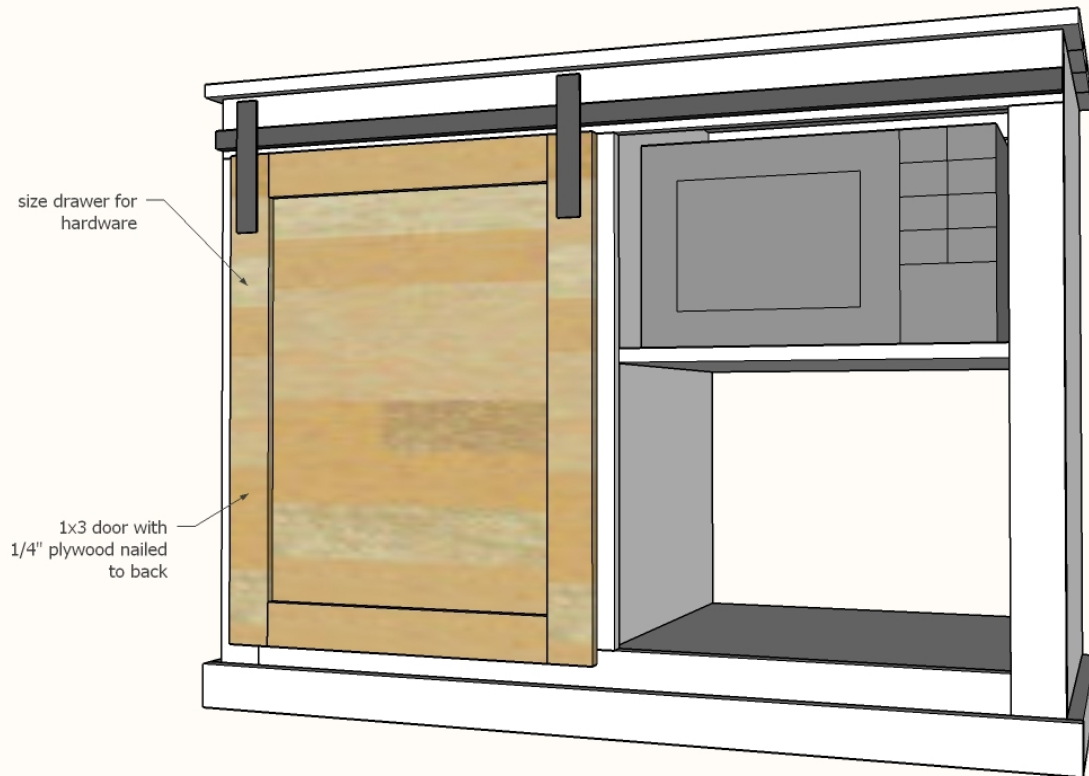
Measure and cut the front. Nail and glue the front piece on.

STEP 5



(<https://www.ana-white.com/sites/default/files/mini%20fridge%20cabinet%20barn%20door%20snack%20step%205.jpg>)

STEP 6



(<https://www.ana-white.com/sites/default/files/mini%20fridge%20cabinet%20barn%20door%20snack%20step%206.jpg>)
The door should be built to fit the barn door hardware. This is the dimensions that we used for our door with our homemade hardware (tutorial coming soon!)

FREE PLANS MADE POSSIBLE BY OUR SPONSORS

The RYOBI logo is displayed in white, bold, uppercase letters on a black rectangular background, which is itself centered on a larger yellow rectangular field.

(<https://www.ryobitools.com/hp>)

The Kreg logo features the word "Kreg" in a stylized, italicized white font with a blue outline, set against a solid blue rectangular background.

(<https://www.kregtool.com/>)

The shelfhelp logo consists of the word "shelfhelp" in a white, cursive script font, with the tagline "SHELF HELP BY ANA WHITE" in a smaller, white, sans-serif font below it, all on a black rectangular background.

(<https://shelfhelpnow.com/>)



Welcome, I'm Ana White

I build and share smart, stylish diy projects. Since 2009.

- Subscribe (https://www.youtube.com/user/knockoffwood?sub_confirmation=1 target=) weekly Youtube video
- Subscribe for email updates (https://app.getresponse.com/site2/ana-white?u=w89hP&webforms_id=hjODS)
- I'm on Instagram (<https://www.instagram.com/anawhitediy/>), Pinterest (<https://www.pinterest.com/anawhitediy/>) and Facebook (<https://www.facebook.com/knockoffwood>)